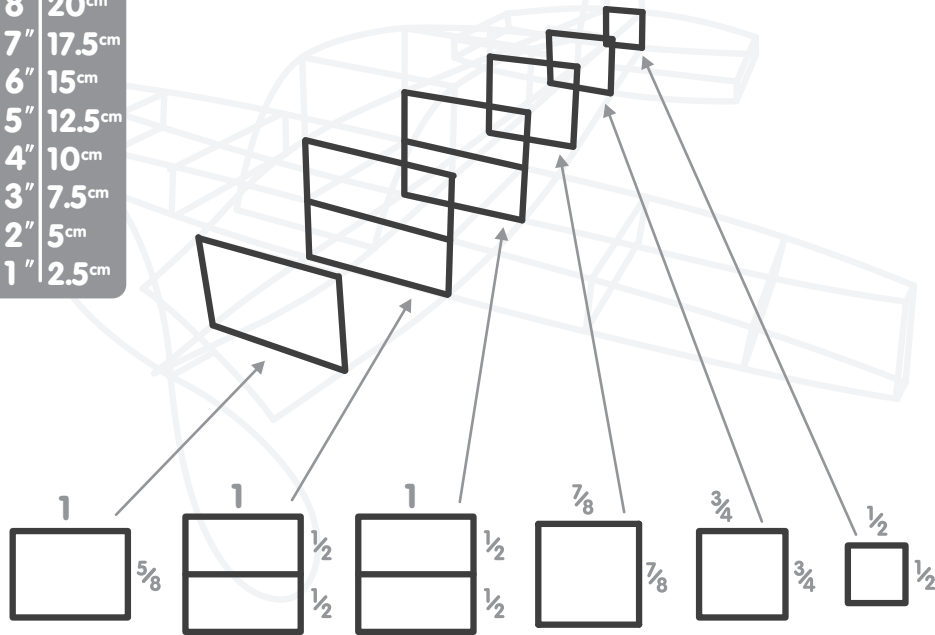
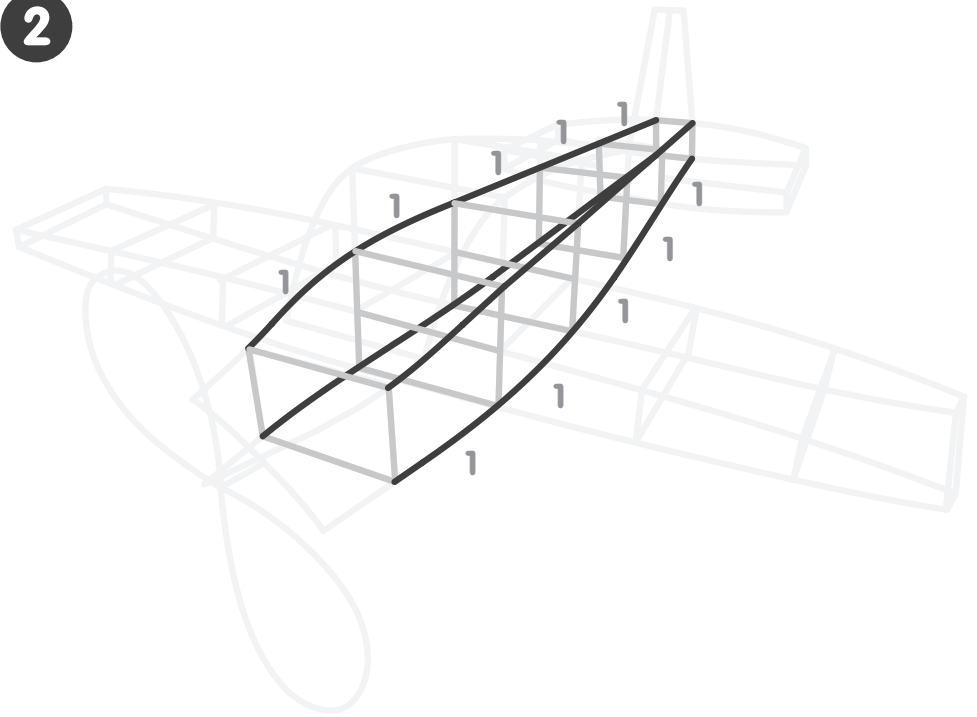


1

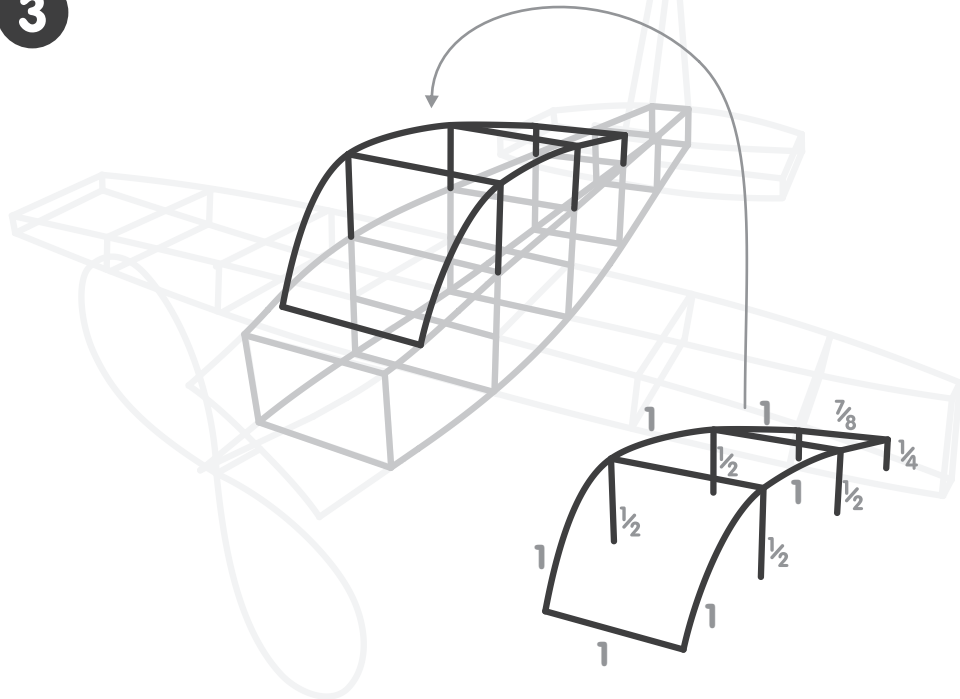
1	= 8"	20cm
$\frac{7}{8}$	= 7"	17.5cm
$\frac{3}{4}$	= 6"	15cm
$\frac{5}{8}$	= 5"	12.5cm
$\frac{1}{2}$	= 4"	10cm
$\frac{3}{8}$	= 3"	7.5cm
$\frac{1}{4}$	= 2"	5cm
$\frac{1}{8}$	= 1"	2.5cm



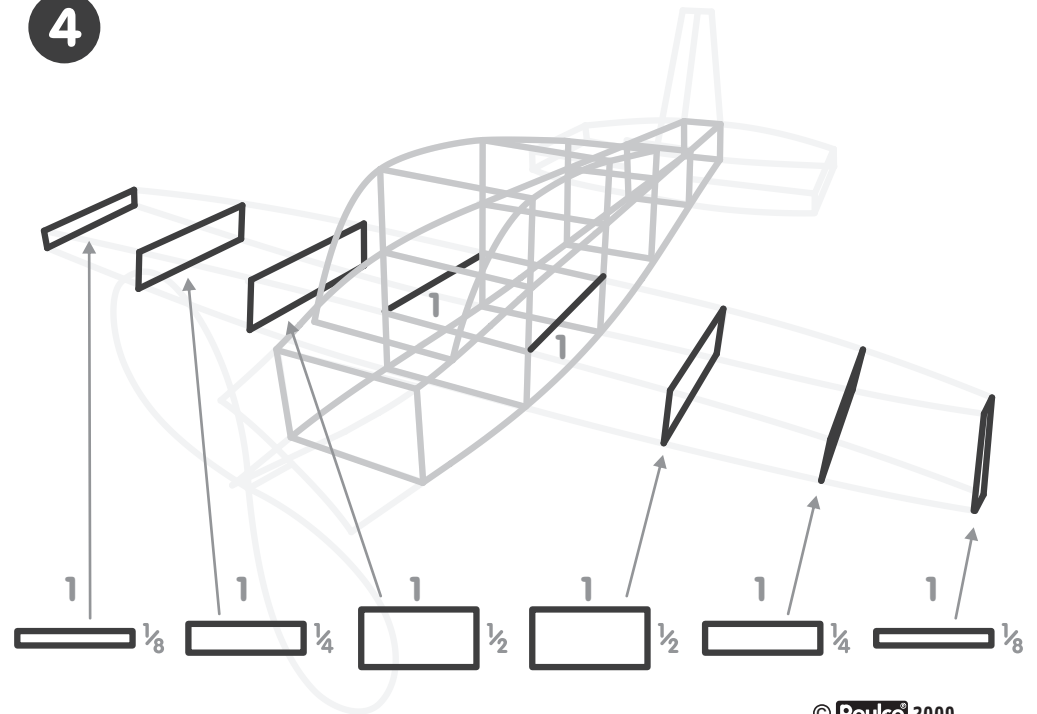
2



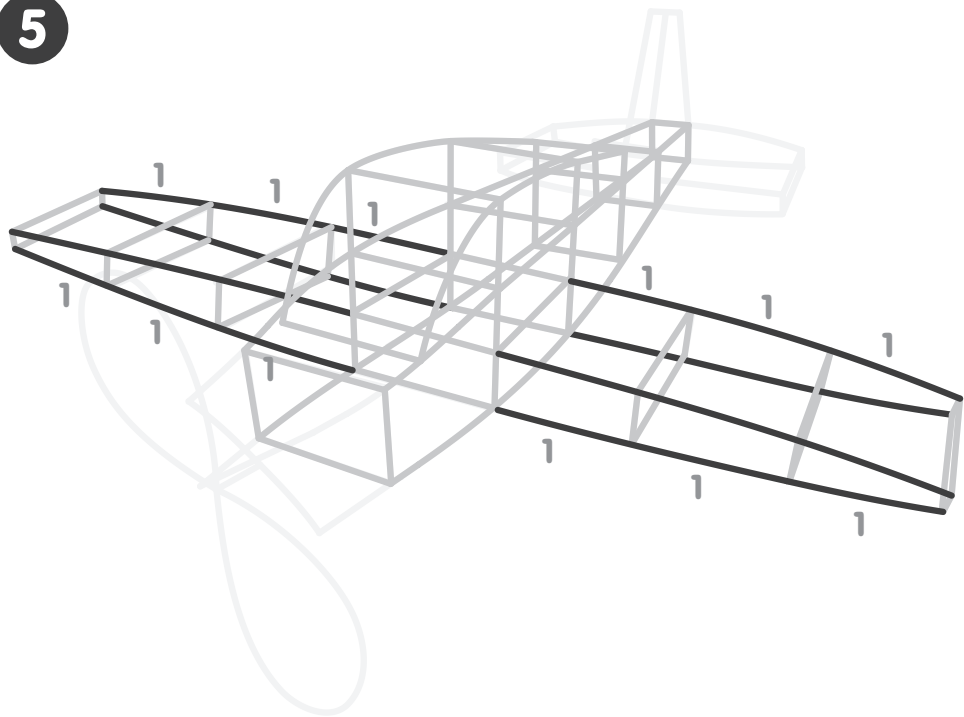
3



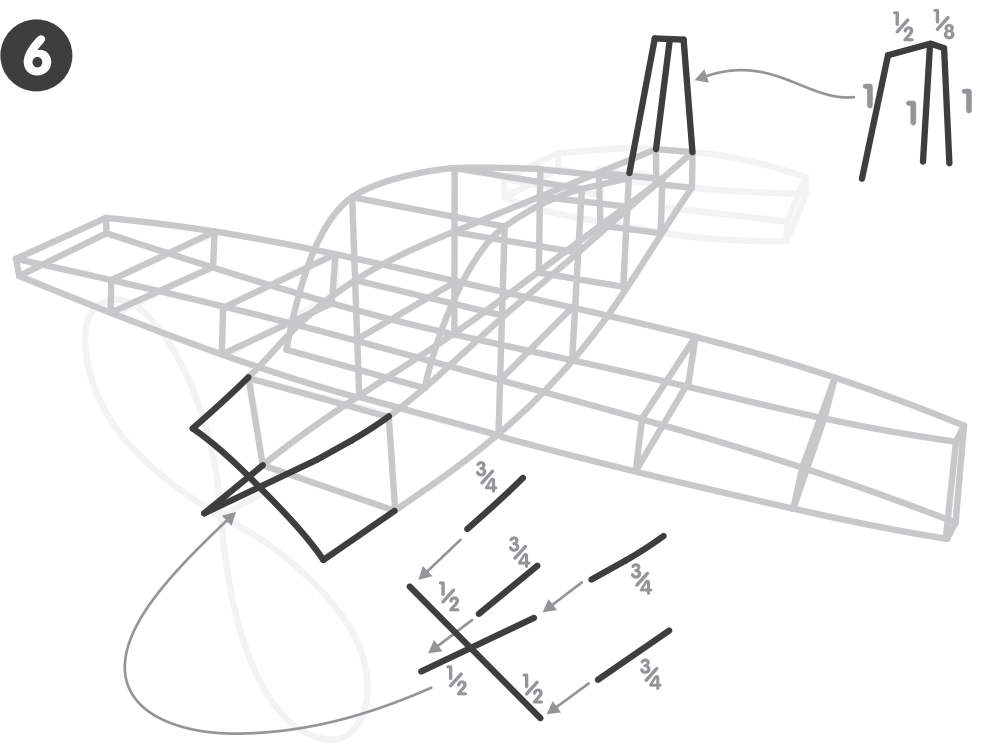
4



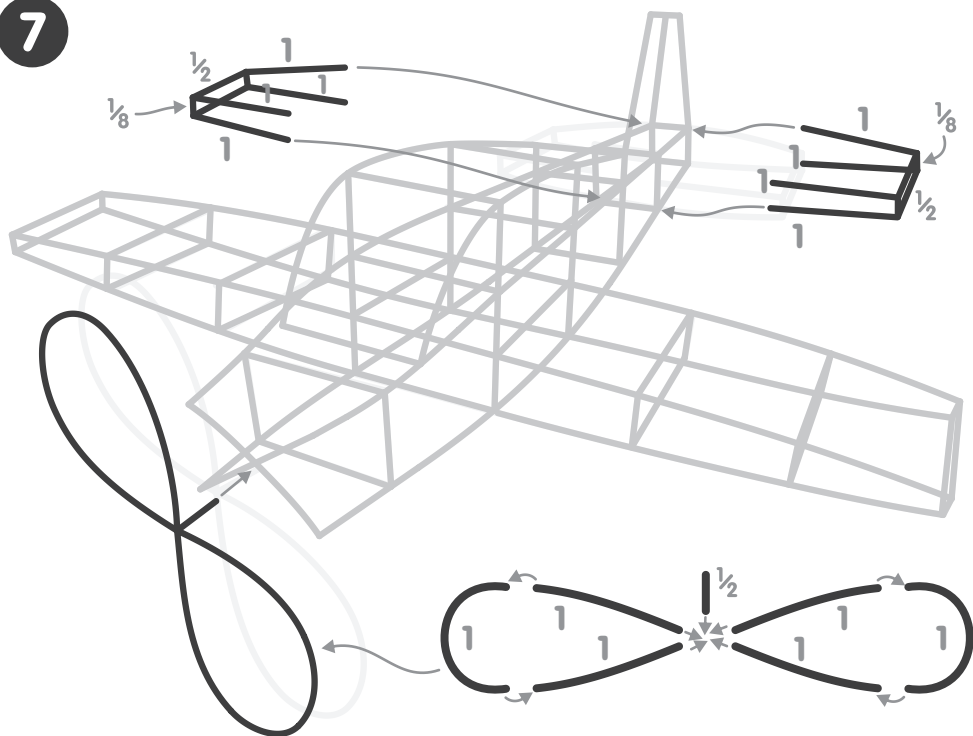
5



6



7



8

